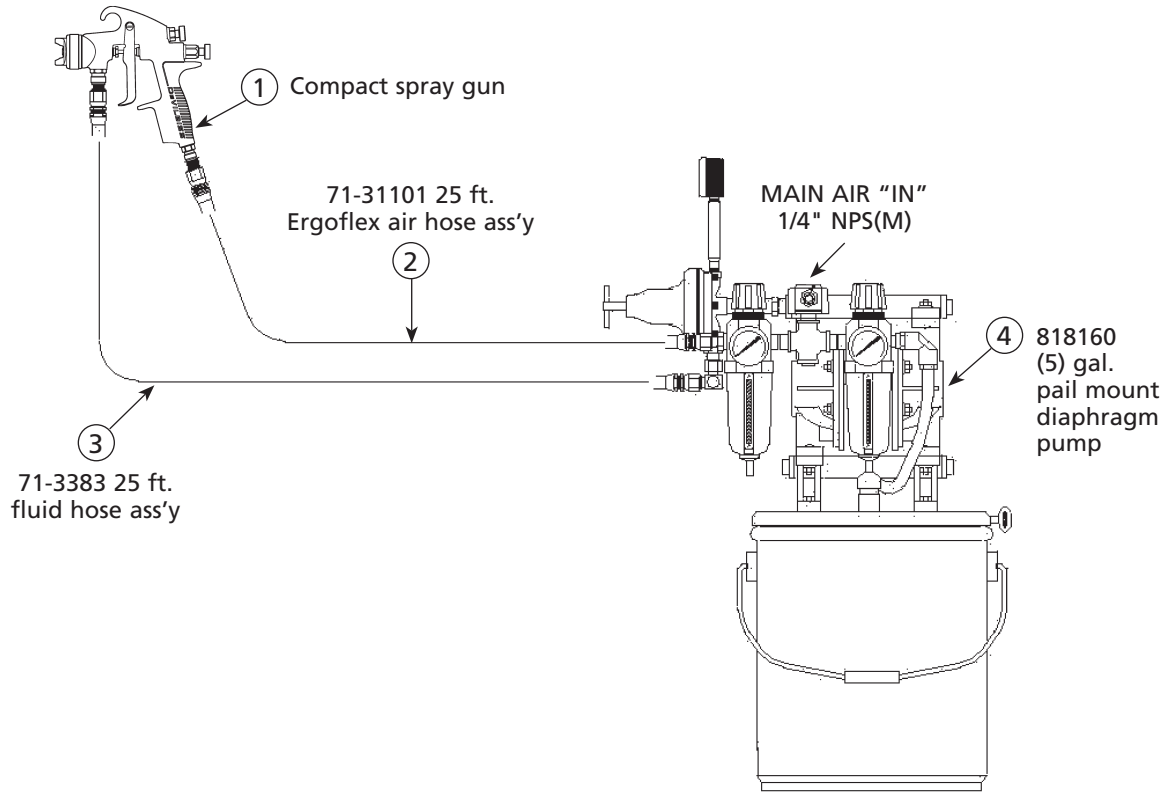


Gemini 1/2" Low Pulse Spray Finishing Outfit

Models 98-3150 & 98-3151



SYSTEM COMPONENT LIST

ITEM NO.	PART NO.	DESCRIPTION	QTY.	PART SHEET
1	SEE CHART 1	COMPACT SPRAY GUN	1	SEE CHART 1
2	71-31101	ERGOFLEX AIR HOSE ASS'Y	1	---
3	71-3383	FLUID HOSE ASS'Y	1	---
4	818160	GEMINI PUMP PKG	1	81816X & 81883X

CHART 1

OUTFIT	ATOMIZATION	GUN	PART SHEET
98-3150	HVLP	COM-PS507B-14-00	SB-2-545
98-3151	CONVENTIONAL	COM-PS497-12-00	SB-2-548

GENERAL DESCRIPTION

This (5) gallon pail system is complete with Compact gun, 1:1 Gemini 1/2" diaphragm pump w/air control and 25 ft. fluid and air hose assemblies.

Sales and Service Through a Network of Industrial Distributors.

Customer Service in USA / 1-800-992-4657
Technical Support in USA / 1-888-992-4657